



UNIVERSAL LIGHT

LIFEJACKET LIGHT



The universal light is one of the only lights available to date that can accommodate both surface and recess mounting solutions effectively. The light can be attached to a point on the jacket to become a surface light or placed into a circular housing unit which is permanently recessed in the lifejacket.

When recess mounts are used the light has an extremely low profile and is non-intrusive. Once expired the light is easily replaced. If purchasing the recessed mounting option the light is supplied with two brackets allowing swap-out of both Crewsaver and non-Crewsaver light options.

Additionally, the light can be purchased with either an attached cable and water activated sensor or without cable and integrated sensor. The integrated sensor option will flash automatically once fully immersed in water where as the cable with sensor option will flash only on constant contact with water.

FEATURES

- **ACTIVATES ON CONTACT WITH WATER OR MANUALLY**
- **FLASHING LED LIGHT**
- **SOLAS, MED AND USCG APPROVED**
- **MINIMUM 8 HOURS LIGHT DURATION**
- **MAXIMUM 5 YEAR STORAGE LIFE**



This flashing light meets all relevant safety standards to keep you visible in the worst of scenarios

UNIVERSAL LIGHT

LIFEJACKET LIGHT ↓

LIGHT OPTIONS

Integrated sensor



Sensor on cable



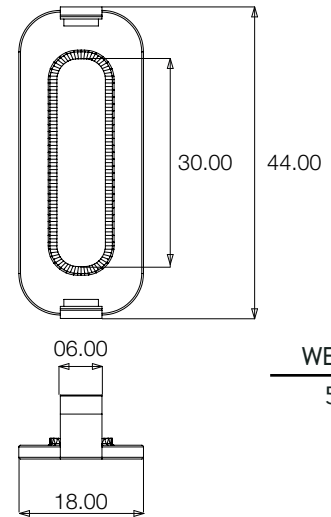
SURFACE BRACKET

With Cable



Surface bracket

Integrated Sensor



WEIGHT
51g

CIRCULAR RECESS

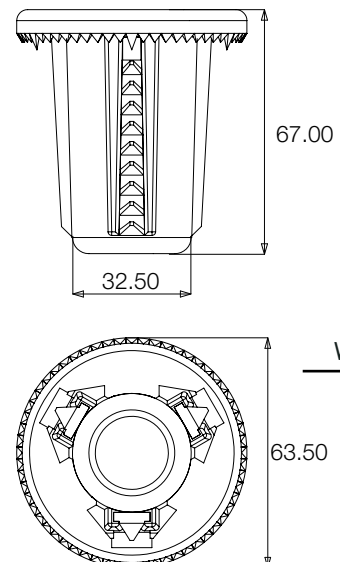
With Cable



Circular housing

Foam grip

Integrated Sensor



WEIGHT
84g

UNIVERSAL LIGHT

LIFEJACKET LIGHT ↓

CIRCULAR RECESS ADAPTERS



Recess



For Universal light housing

Raised



For use with non-Crewsaver light housings

LIFEJACKET LIGHT DISPOSAL

Disposing of used and expired lights should be in accordance with local regulations. This should be done through an approved environmental disposal agent and not disposed with other household or commercial waste.

SWITCHING

IMO regulations state that a flashing lifejacket light has to have the option to be switched off. All Crewsaver lights can be turned on and off easily at the touch of a button.

OPERATION

All Universal lights activate automatically when the switch is fully immersed in water and will switch off if removed. Universal lights with integrated sensor activate automatically when fully immersed in water and will remain activated until manually switched off.

All Crewsaver Premier Foam lifejackets are available with any Crewsaver light option and can be supplied as standard.

UNIVERSAL LIGHT

LIFEJACKET LIGHT ↓

TECHNICAL DATA

Light Output Vertical/Horizontal	Min 0.75 cd Max 6.0 cd
Light Output Surface Mount	8.0 cd
Light Duration	Min 8 hour
Light Type	Flashing LED
Material	PCTG/ABS/Silicone
Storage Temperature	-30 °C to +65 °C
Operating Temperature	-1 °C to +30 °C
Storage Life	5 Years
Activation	Water or Manual
Battery Type	Lithium Manganese Dioxide
Weight	49.4 g (Light Only)

Ordering Information

PRODUCTS

Product Number	Product Name
10281	Universal Light Solas and Surface Mount Bracket
10282	Universal Light Solas and Circular Recessed Adaptors
10276	Universal Light Solas with Recessed Mount Bracket and Integrated Sensor
10278	Universal Light Solas with Surface Mount Bracket and Integrated Sensor

Spares

PRODUCTS

Product Number	Product Name
10269	Universal Circular Recessed Housing

APPROVALS

SOLAS/MED and USCG



The Survitec logo consists of a stylized orange swoosh above the word "survitec" in a lowercase, sans-serif font.

GET IN TOUCH

Phone +44 (0) 1329 820 000

Email sales.crewsaver@survitecgroup.com

www.survitecgroup.com

Survitec House, Lederle Lane, Gosport, PO13 0FZ